

Project Name:

Part #:

Type:

Exit Signs

Features

- Meets NFPA 101, NEC, and UL924
 - Replaceable Battery
 - Injection-molded thermoplastic (UL 94V-0 flame rating)
 - Innovative snap-together design
 - Replaceable directional chevron inserts
 - Letter 6" height with 3/4" stroke
 - Single or double face configuration
 - Universal mounting: Wall | Side | Ceiling
 - Self-test button
 - ETL listed for damp location
- UL E345524 Certified
 - Injection-molded thermoplastic ABS
 - Housing (UL 5VA flame rating)
 - Innovative snap-together design
 - Replaceable directional chevron inserts
 - Letter 6" height with 3/4" stroke
 - Single or double face configuration
 - Two fully adjustable glare-free round shaped emergency light heads
 - Self-test button
- UL E345524 Certified
 - White aluminum alloy housing
 - Battery overcharge protection
 - Easy maintenance
 - Transparant acrylic panel (on single configuration)
 - Universal mounting
 - Single or double configuration
 - Universal mounting: Wall | Side | Ceiling
 - Self-test button

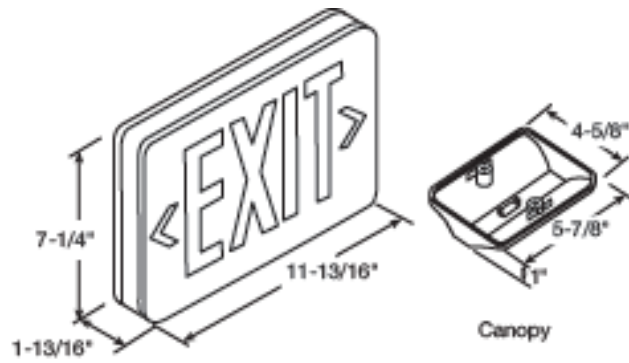


Ordering Guide

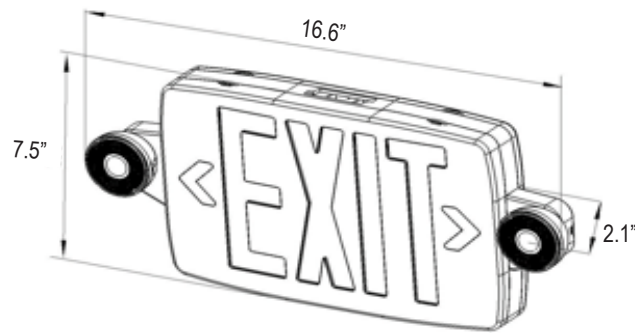
Sign Type	STANDARD		COMBO		CLEAR	
EHC Part #	EHF-EXIT-	-BBU-WH	EHF-EXIT-COMBO-	-BBU-WH	EHF-EXIT-	-BBU-CLEAR
LED Color	RED	GREEN	RED	GREEN	RED	GREEN
Housing Color	White		White		N/A	
Wattage	1W		4W		3.4	
Battery	Ni-Cd 4.8V/1,000mAH		Ni-Cd 4.8V/1,000mAH		Ni-Cd 4.8V/500mAH	
Emergency Duration	90 min		90 min		180 min	
Size (L" x W" x H")	11.75" x 7.25" x 1.75"		16.5" x 7.5" x 2"		12" x 9.6" x 1.9"	
Voltage (AC)	120/277		120/277		120/277	
Certifications	ETL Meets NFPA 101, NEC, UL924		UL E345524		UL E345524	

Product Dimensions

STANDARD



COMBO



CLEAR

