



Energy Harness® Active Airflow Slimline edition offers a fresh architectural style to the world of LED UV-C air purification. The air purification method of this structure is based on our patent pending technology and solid-state UV-C LED technology that has been proven to be effective at inactivating a range of pathogens. This versatile fixture can be pendant or wall mounted.

Verified through ETL Testing Labs and University studies, Energy Harness Active Airflow Technologies are proven to eliminate viral and bacterial pathogens. Providing our customers with a sense of safety and well-being while our fixtures remove harmful pathogens from their environment.

Features

- Unique design allows this unit to safely clean the air while people are present.
- UV-C germicidal irradiation works to eliminate current and future air-borne pathogens.
- Precise UV-C wave lengths are used to cover germicidal vulnerability spectrum.
- Architectural design
- Easy filter and UV-C maintenance
- Selectable UVC dosage (2x LED board or 4x LED board)

Applications

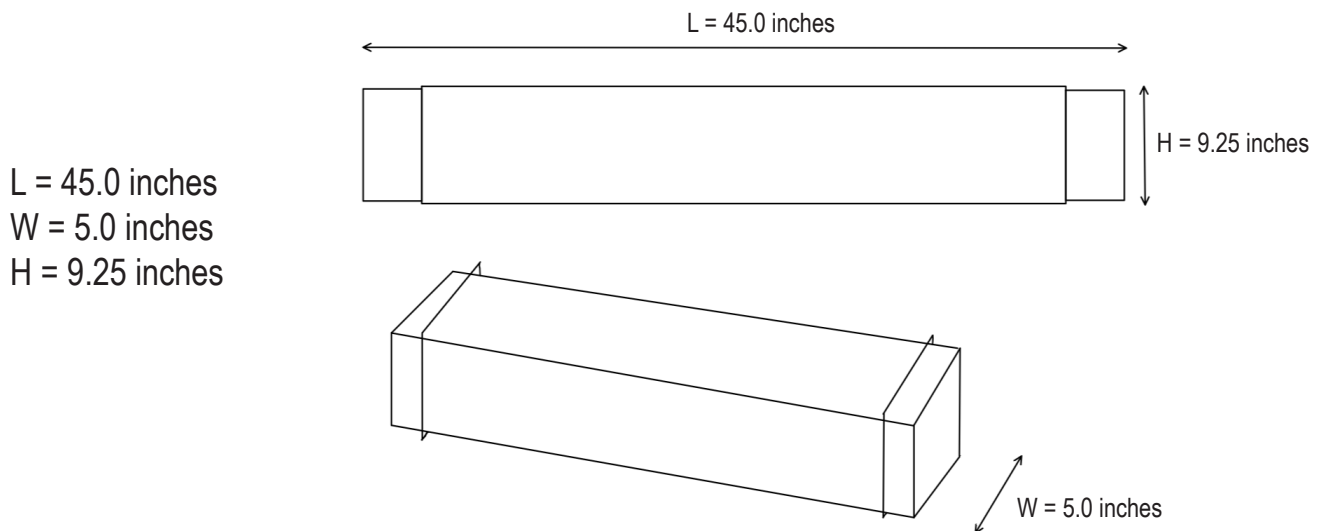
- Hospitals
- Offices
- Lobbies
- Grocery stores
- Retail locations
- Café's/ Coffee shops
- Restaurants
- Bars
- Hotels
- Elevators
- Schools
- Common areas



Specifications

- Input Voltage: 120-277VAC
- Total Wattage: 96W
- Amperage: 0.8 Amps (120VAC)
- Noise Level: 45-55 dB
- Germicidal Wavelength Center: 275nm
- UV-C Wavelength: 260nm - 280nm
- UV-C Dosage: 12-18mJ/cm²
- Fan Rating: 70 CFM
- Optimum Coverage per Fixture: 350 sq/ft
- Fixture Weight: 17.5 lbs

Dimensions



Accessories

- Ceiling Mounting Bracket
- Pendant Mounting Kit
- Occupancy Sencor
- Wall Mounting Bracket
- Wireless On/Off Control
- 277VAC Surge Protection (included)

Ultraviolet Dosage		90% Disinfection	99.9% Disinfection
MICROORGANISM	DISEASE	mJ/cm ²	mJ/cm ²
Cornynebacterium diptheriae	Diphtheria	3.4	10
Eberthella typhosa	Typhoid Fever	2.1	6.3
E. coli	Diarrhea	3	9
Legionella pneumophila	Legionnaires' disease	0.92	2.76
Micrococcus sphaeroides	Pneumonia	10	30
Neisseria catarrhalls	Sinusitis	4.4	13
Pseudomonas aeruginosa	Blood & Lung infections	5.5	16.5
S.typphimurium	Gastroenteritis	8	24
Serratia marcescens	Pneumonia	2.5	7.2
Shigella Paradysenteriae	Dysentery	1.7	5.2
Spirillum rubrum	Lyme Disease	4.4	13
Staphylococcus aureus	Skin Infections	4.9	14.8
Streptococcus hemolyticus	Scarlet Fever, Pneumonia	2.2	6.6
Streptococcus lactis	Endocarditis	6.1	18
Streptococcus viridans	Meningitis	2	6
Baccillus tuberculi	Tuberculosis	10	30
Poliovirus	Polio	3.2	9.6
Infectus Hepatitis	Hepatitis	5.8	17.4
Influenza	Flu	3.4	10.2

Log Reduction	% Reduction	Dosage Required mJ/cm ²
3-log reduction COVID family	SARS-CoV-2 virus family 99.9%	3.7
4-log reduction COVID family	SARS-CoV-2 virus family 99.99%	5
5-log reduction COVID family	SARS-CoV-2 virus family 99.999%	8
6-log reduction COVID family	SARS-CoV-2 virus family 99.9999%	12

Ordering Guide

Example Model Number: EHF-UVC-SLAA-L2-277-S-OC

Slimline Active Airflow UV-C Fixture	
Product Series	EHF-UVC
Version	SLAA
Number of LED Boards	L2 = 2 boards L4 = 4 boards
Voltage	277 = 120-277V
Mounting Accessory	S = Surface P = Pendant C = Chain
Sensor	OC = occupancy sensor
Wireless Controls (includes relay and switch)	WC = wireless controls
Fixture Color	Leave Blank = White

Model Number:
Project Name:
Project Number:
Approval:

MAINTENANCE COMPONENTS:

UVC Replacement Modules: EHA-UVC-SLAA2-MODULE
EHA-UVC-SLAA4-MODULE

Filter Replacements: EHA-UVC-FILTER