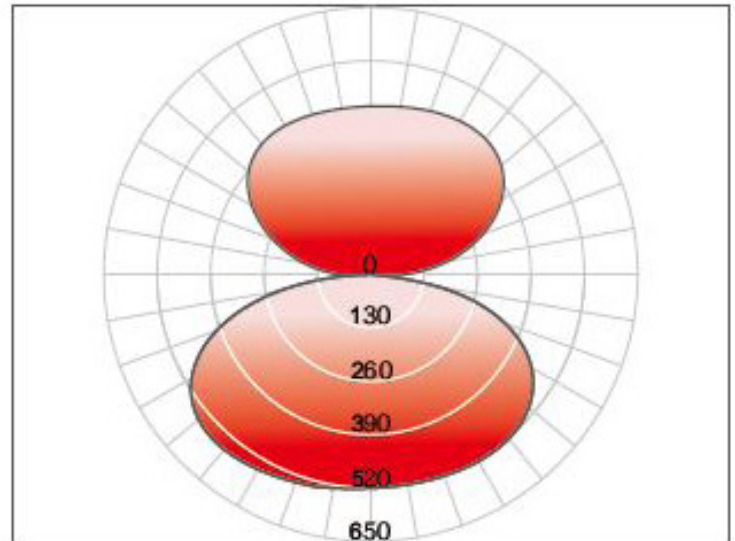
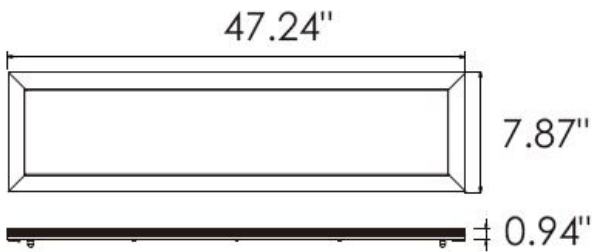


The Architectural Pendant LED Fixture has a unique design that is nearly transparent when off and excellent uniformity and efficiency when on. 4mm thick acrylic optical light guide coupled with high efficacy LEDs, precisely control optimal direct indirect light distributions between the direct surfaces below and the ambient area above the fixture, making the illusion of the light floating in mid-air.



AVERAGE BEAM ANGLE (50%) : 360°

## Applications

- Healthcare Facilities
- Offices
- Retail

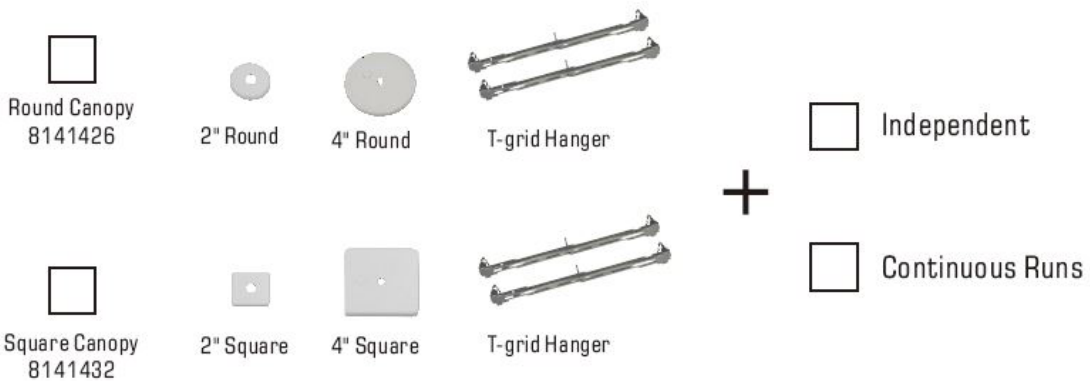
- Schools
- Lobbies
- More!



## Specifications

- Input Voltage: 100-277V AC
- Dimming: 0-10V
- CRI > 80
- Mounting: Suspended
- Power Factor > 0.9
- 5 Year Warranty

## Mounting Accessories



Product:	Architectural Pendant LED Fixture
EHC Part Number	EHF-UPDN-40-277-D010
Replacement	100-175W
Wattage	40W
Lumens	4200lm
Efficacy	105lm/w
Color (CCT)	3000K, 3500K, 4000K (Tunable)
Size (L" x W")	48" x 8"