



Energy Harness® LED Street Lights have an excellent optical design, optimal cooling fin design, even light distribution, and a hinged door for easy maintenance access. This product is great for roadways, residential areas, parking lots, and much more. With its unmatched lighting performance and long lifespan, this fixture is sure to provide great light for years to come.

Features

- Field Serviceable LED Modules
- Field Serviceable Power Supply
- NEMA 7-pin twist lock photocell socket
- Shorting cap included
- Toolless hinged door for maintenance
- Adjustable mounting included (receives on 2-3/8" tenon)
- Terminal block inside for safe power connection
- Power wire (3ft) included for easy installation
- Universal and high voltage models available

Applications

- Roadways
- Parking Lots
- Parks
- Residential Areas
- Airports
- High Security Areas



Specifications

- IP66 rated
- 0-10V dimmable
- Efficacy: > 135lm/w
- CRI > 80
- PF > .9
- Input Voltage:
120-277V | 277V-480V
- Lifespan: > 50,000 hours
- Operating ambient temperature: -40°F-122°F
- EPA: 300W = 1.80
- CCT: 4000K
- Distribution Types: III

Accessories

*Accessories Sold Separately



Surge Protection Device
EHA-SURGE-20kV-277V
EHA-SURGE-20kV-480V



Round Pole Mounting Accessory
EHA-ADAPT-SQ-POLE-SIDE-TENON

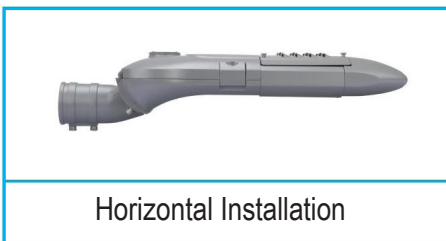


Wireless Controls
EHW-SY-PHOTO-CONTROL-277



Square Pole Mounting Accessory
EHA-ADAPT-RD-POLE-SIDE-TENON

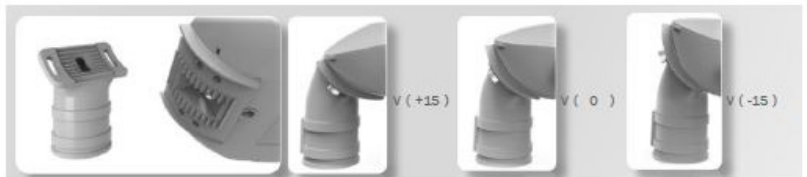
Included Mounting Feature



Horizontal Installation

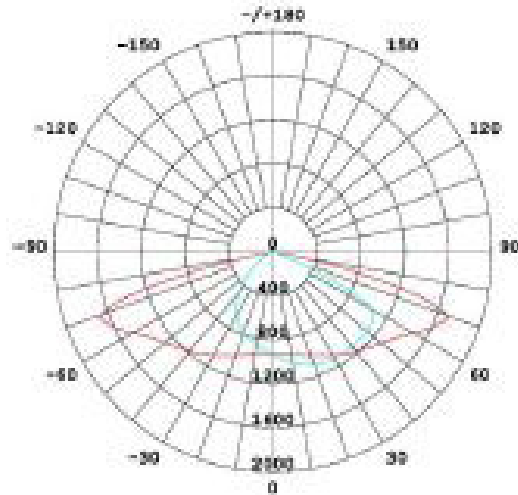


Vertical Installation

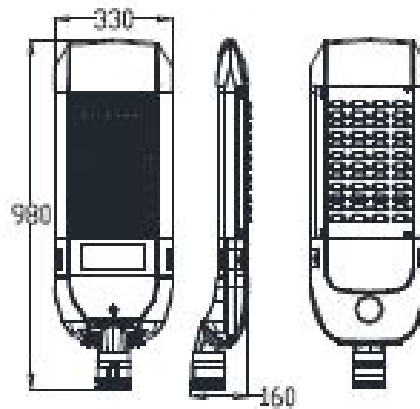


Light Distribution

Type III Photometric



Dimensions (mm)



300W

Model Number: EHF-ST5-3-30040K-480V-D010-GY

The product is listed under certification/approval number 715-005-035 on Florida's Approved Product List.

A representative sample of this product has been evaluated by the FDOT Traffic Engineering Research Laboratory, and meets applicable FDOT product standards for listing on Florida's Approved Product List.