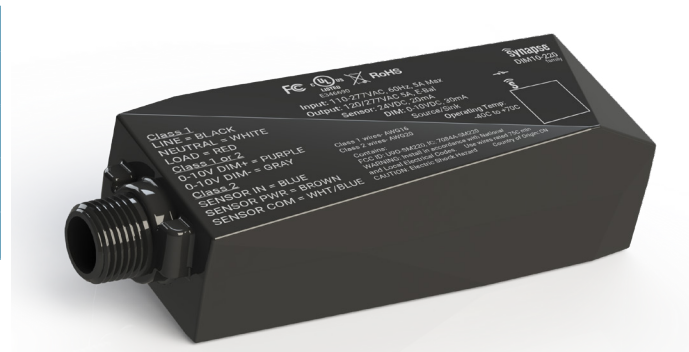


Specification Data	
Job Name	
Type	
Catalog #	
Comments	



PRODUCT OVERVIEW

The DIM10-220 provides real-time control with power monitoring to help meet California Title 24 and other energy regulations. It also includes a 24VDC sensor input and power supply to connect a sensor into the SimplySnap wireless lighting solution. It is designed for retrofit applications or for use with new fixtures that do not have room for integrated controls.

KEY FEATURES:

- Available with internal and external antenna options (Antenna not included)
- Supports variety of fixture designs and mounting options
- IP65 rated for indoor and outdoor applications
- Power Monitoring
- Class 1/2 0-10V Dimming Control
- True On/Off functionality via switched relay
- Self-healing SNAP Mesh Networking
- Supports a wide range of LED drivers
- Supports 24VDC sensors (consult sales for list)
- Secure, over-the-air upgrades to support future enhancements
- DLC Certification for both Indoor and Outdoor

Bolt-on controller for indoor and outdoor applications

Order #	Description
DIM10-220	Bolt-on controller with external antenna connector
DIM10-220-F	Bolt-on controller with internal antenna

Dimensions	6.1" L x 2.1" W x 1.6" H (153.7 x 53.9 x 41.8mm)
Mounting	Conduit Knock-Out, Hanging Kit, or in Fixture
Input Power¹	110-277VAC, 50/60Hz
Load Rating¹	5A @ 120/277VAC (+/- 10%)
Surge Rating	6KV
Operating Environment	-40°C to +70°C
IP Rating	IP65
Wiring	15" wires attached (+/- 1")
Dimming Output	0-10V, Class 1/2, 30mA
Radio	SNAP 2.4GHz ; 802.15.4 +20 dBm Transmit Power -103 dBm Receive Sensitivity
Sensor Input	0 - 24VDC
Sensor Power Supply	24VDC @ 20mA
Power Monitoring²	2% accuracy
Power Readings	Voltage and Watts
Certifications	c(UL)us, FCC/ IC , RoHS
Warranty³	5 Years



To learn more, call or visit:
synapsewireless.com
 (877) 982-7888

Footnotes:

1. Phase to Phase power is supported, however the controller only switches one phase.
2. 2% accuracy down to 100 Watts
3. See www.synapsewireless.com/warranty for warranty terms

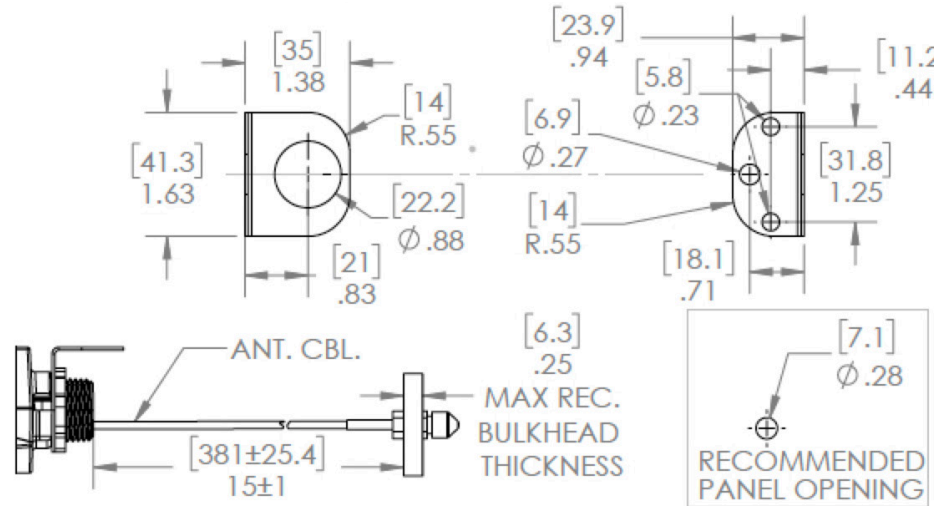
DIM10-220 DIMENSIONS AND WIRING INFORMATION

Class 1	
Line	Black
Neutral	White
Load	Red

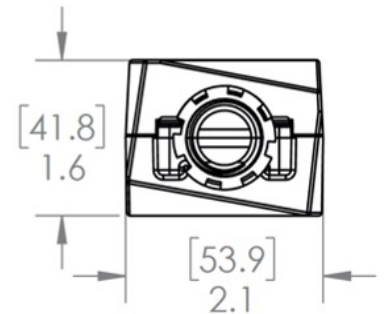
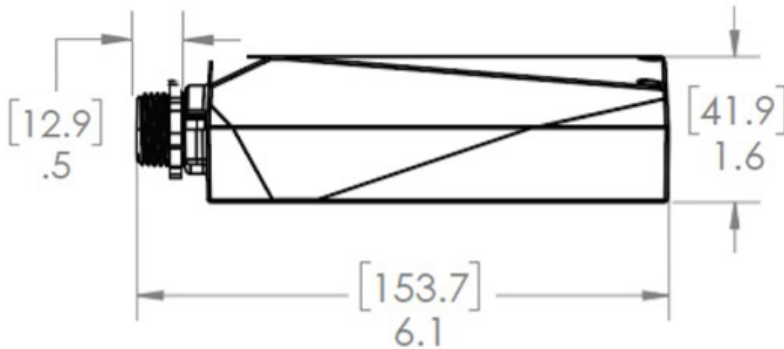
Class 1 or 2	
0-10V Dim+	Purple
0-10V Dim-	Gray

Class 2	
Sensor In	Blue
Sensor Power	Brown
Sensor Com	White/Blue

Note: Bracket only included with DIM10-220 model with external antenna connector



Note: Phase to Phase power is supported, however the controller only switches one phase.



Note: For use with a standard 1/2" EMT knockout.

LIGHTING CONTROLLERS

ACCESSORIES (For use with DIM10-220 with external antenna connector)

Antenna Part #	Description
ANT-ORB-1.5-1	Outdoor Fixed Right Angle Antenna, 1.5 dBi gain
ANT-OSB-1.5-1	Outdoor Straight Antenna, 1.5 dBi gain
ANT-ORS-5.1	Stubby Antenna, Outdoor Right Angle
ANT-OSS-5.1	Stubby Antenna, Outdoor Straight
Hanging Kit Part #	Description
KIT-HP02-01	Hanging Kit, Aircraft cable,Coax cable,1.5'
KIT-HP20-01	Hanging Kit, Aircraft cable,Coax cable,20'
KIT-HP30-02	Hanging Kit, Aircraft cable,Coax cable,30'
KIT-HP50-03	Hanging Kit, Aircraft cable,Coax cable,50'