



Energy Harness® LED Street Lights have an excellent optical design, optimal cooling fin design, even light distribution, and a hinged door for easy maintenance access. This product is great for roadways, residential areas, parking lots, and much more. With its unmatched lighting performance and long lifespan, this fixture is sure to provide great light for years to come.

Features

- Field Serviceable LED Modules
- Field Serviceable Power Supply
- NEMA 7-pin twist lock photocell socket
- Shorting cap included
- Toolless hinged door for maintenance
- Adjustable mounting included (receives on 2-3/8" tenon)
- Terminal block inside for safe power connection
- Power wire (3ft) included for easy installation
- Universal and high voltage models available

Applications

- Roadways
- Parking Lots
- Parks
- Residential Areas
- Airports
- High Security Areas



Specifications

- IP66 rated
- 0-10V dimmable
- Efficacy: > 135lm/w
- CRI > 80
- PF > .9
- Input Voltage: 120-277V or 277V-480V
- Lifespan: > 50,000 hours
- Operating ambient temperature: -40°F-122°F
- EPA: 80W = 1.26 | 150W = 1.39 | 300W = 1.80
- CCT: 3000K, 4000K, 5000K, 5700K
- Distribution Types: I, II, III, IV, V

Accessories



Motion Sensor (MS)



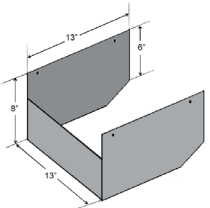
**Wireless Controls
EHW-SY-PHOTO-CONTROL-277**



**Surge Protection Device
EHA-SURGE-20kV-277V
EHA-SURGE-20kV-480V**



**Round Pole Mounting Accessory
EHA-ADAPT-SQ-POLE-SIDE-TENON**

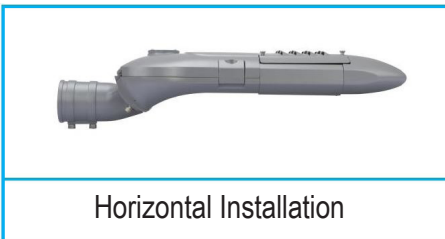


**Glare Shield (GS)
1, 2, or 3 sided
*Field Installed**



**Square Pole Mounting Accessory
EHA-ADAPT-RD-POLE-SIDE-TENON**

Included Mounting Feature



Horizontal Installation

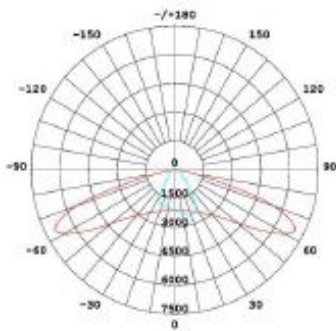


Vertical Installation

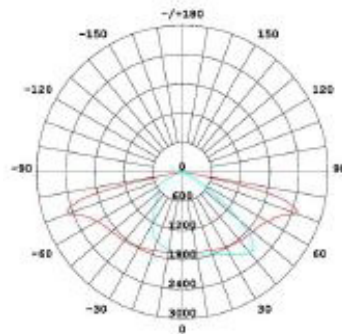


Light Distribution

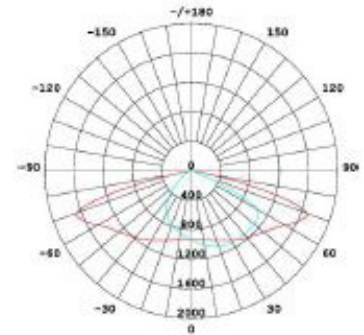
Type I Photometric



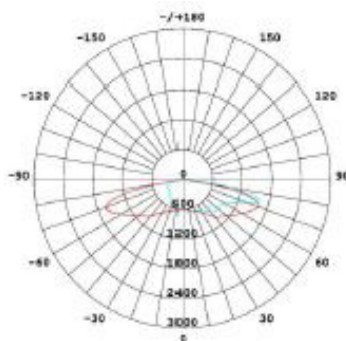
Type II Photometric



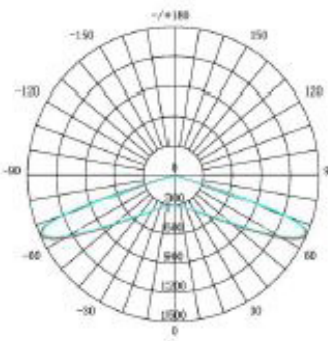
Type III Photometric



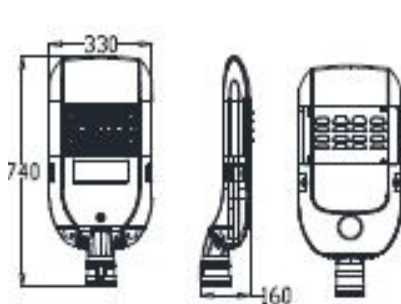
Type IV Photometric



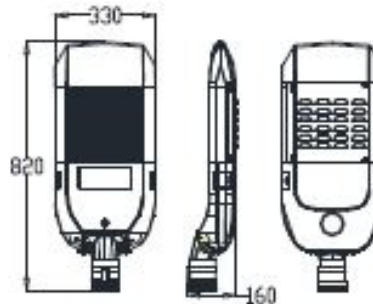
Type V Photometric



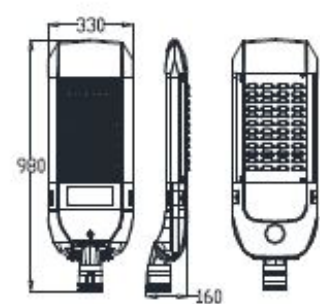
Dimensions (mm)



80W



150W



300W

Ordering Guide

Example Model Number: EHF-ST5-3-30057K-480V-D010-BK-MS

Product Series	EHF-ST2 = 80W / 12447lm - 12683lm EHF-ST3 = 150W / 22601lm - 22953lm EHF-ST5 = 300W / 43308lm - 44688lm	
Light Distribution	1 = Type I 2 = Type II 3 = Type III (standard)	4 = Type IV 5 = Type V
CCT	30K = 3000K 40K = 4000K	50K = 5000K 57K = 5700K (standard)
Input Voltage	277V = 120-277V	480V = 277-480V
Dimming	D010 = 0-10V dimmable	
Fixture Color	BK = Black Powder Coat GY = Grey Powder Coat BR = Bronze WH = White	
Accessories	MS = Motion Sensor	GS = Glare Shield
Model Number:	EHF- ST ____ - ____ - ____ ____ k - ____ V - D010 -	
Project Name:		
Date:		
Specified By:		